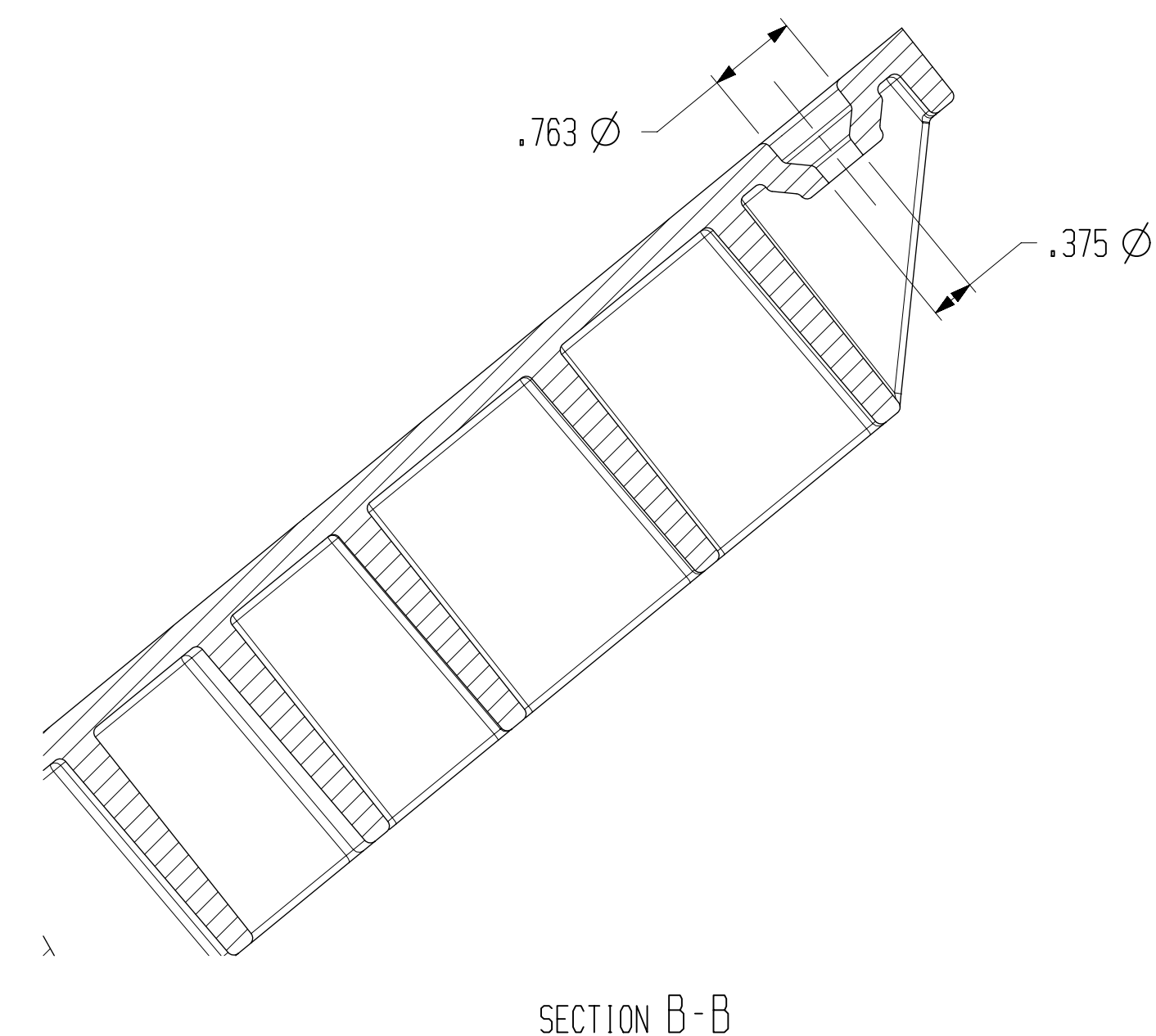
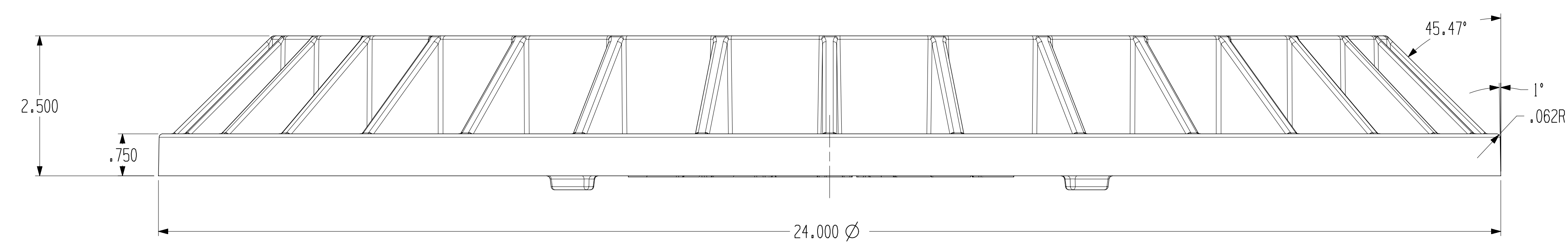
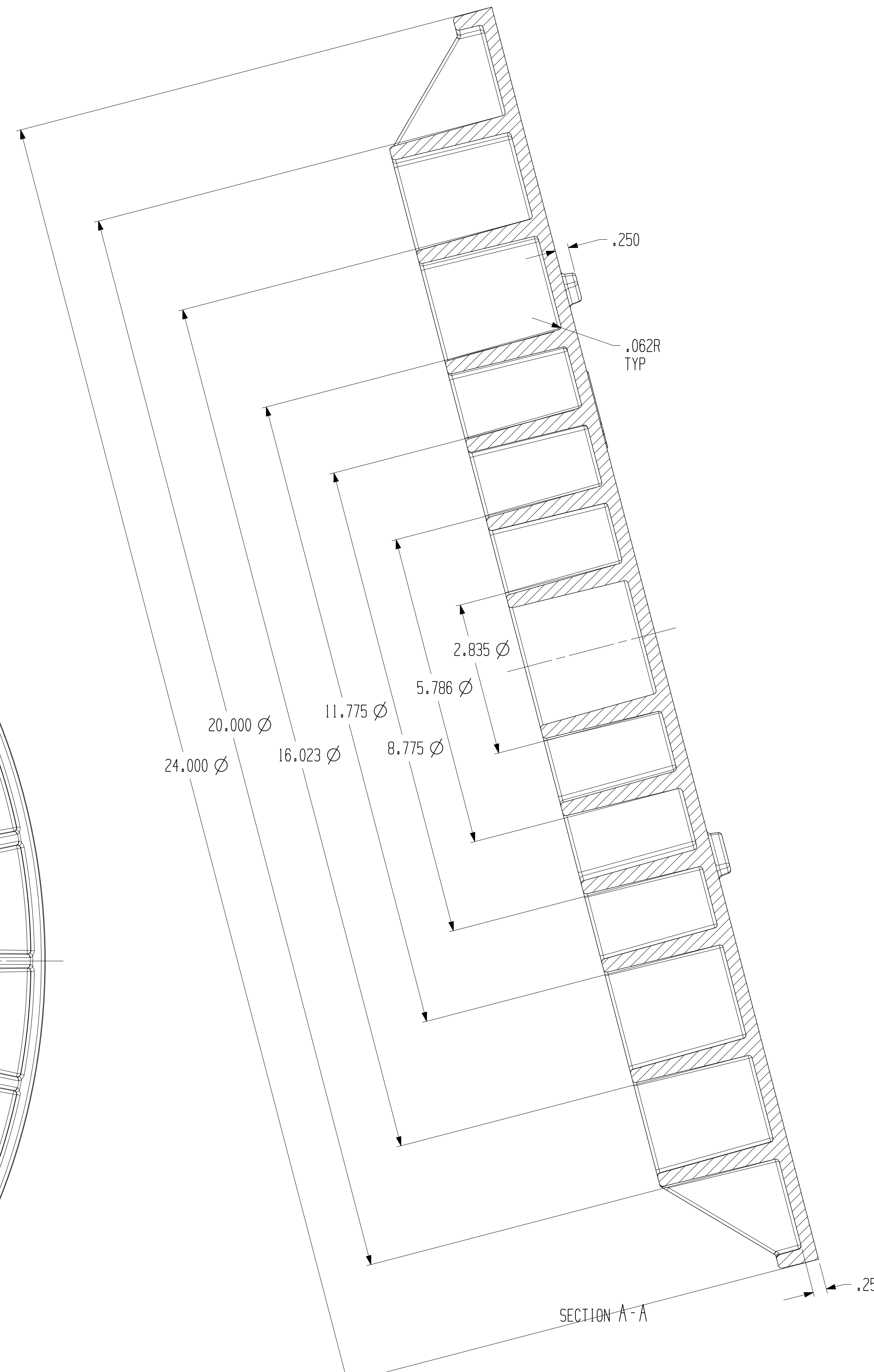
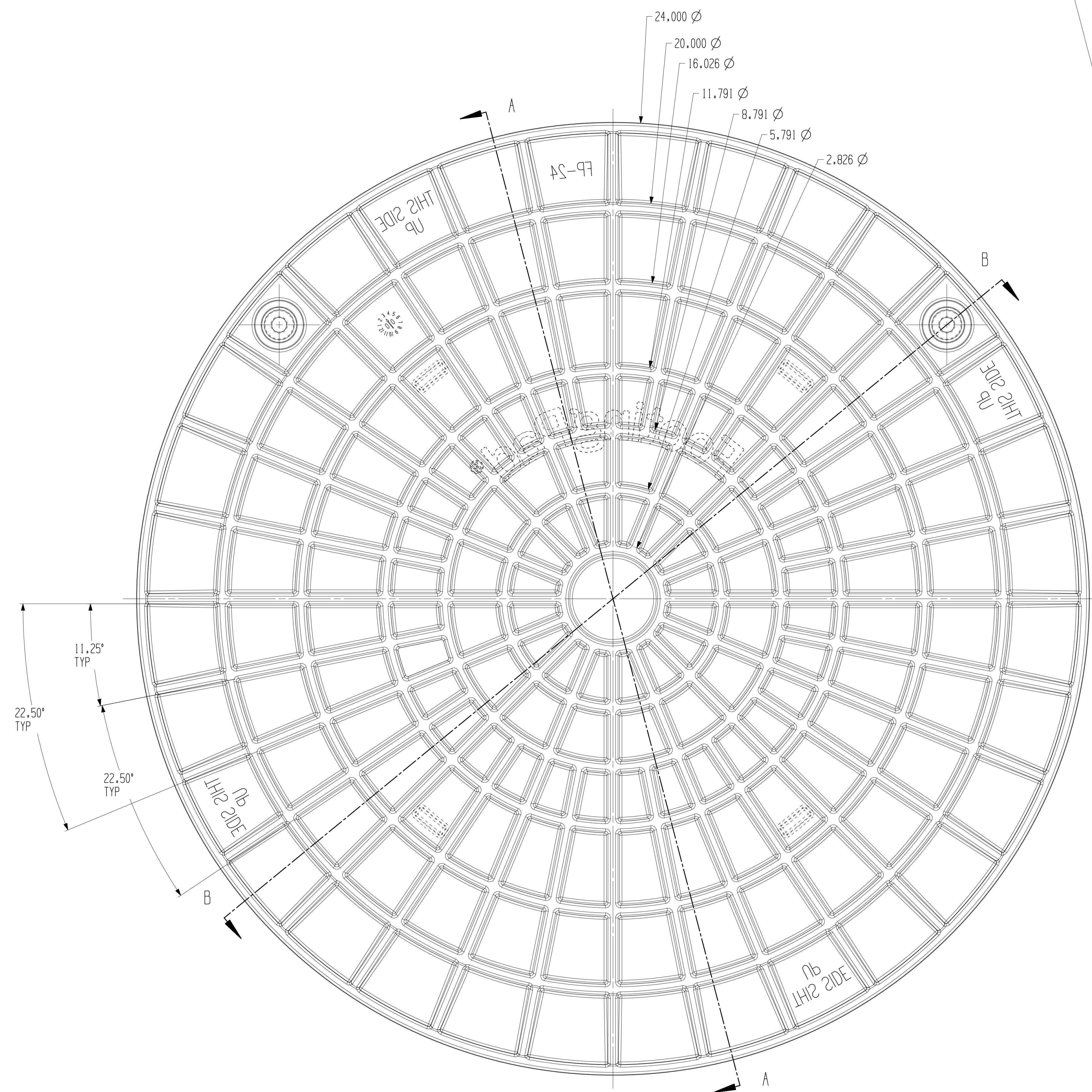


| REVISIONS |     |     |        |    |     |      |       |
|-----------|-----|-----|--------|----|-----|------|-------|
| SYM       | DET | WAS | CHANGE | BY | CHK | DATE | REF # |
|           |     |     |        |    |     |      |       |
|           |     |     |        |    |     |      |       |
|           |     |     |        |    |     |      |       |
|           |     |     |        |    |     |      |       |
|           |     |     |        |    |     |      |       |
|           |     |     |        |    |     |      |       |
|           |     |     |        |    |     |      |       |
|           |     |     |        |    |     |      |       |
|           |     |     |        |    |     |      |       |
|           |     |     |        |    |     |      |       |
|           |     |     |        |    |     |      |       |
|           |     |     |        |    |     |      |       |
|           |     |     |        |    |     |      |       |
|           |     |     |        |    |     |      |       |
|           |     |     |        |    |     |      |       |



**FRANCHINO MOLD AND ENGINEERING COMPANY**

24 INCH FOOTING PAD

CUSTOMER: AG-CO PART NO. 1

PART NAME: COMPONENT WEIGHT

DATE: 03/07/18 DESIGNED BY: BWS CHECKED BY: SEE REVISION BLOCK SHEET NO. 1 OF 1

SCALE: 3:4 NO. OF CAVITIES: PRICE TOOL NUMBER: 2433 CUST TOOL NUMBER:

GENERAL NOTE:  
 UNLESS OTHERWISE SPECIFIED:  
 2 PLACE DECIMALS +/- .01  
 3 PLACE DECIMALS +/- .001  
 4 PLACE DECIMALS +/- .0005  
 ANGLES +/- 0° 30'  
 REMOVE ALL SHARP EDGES