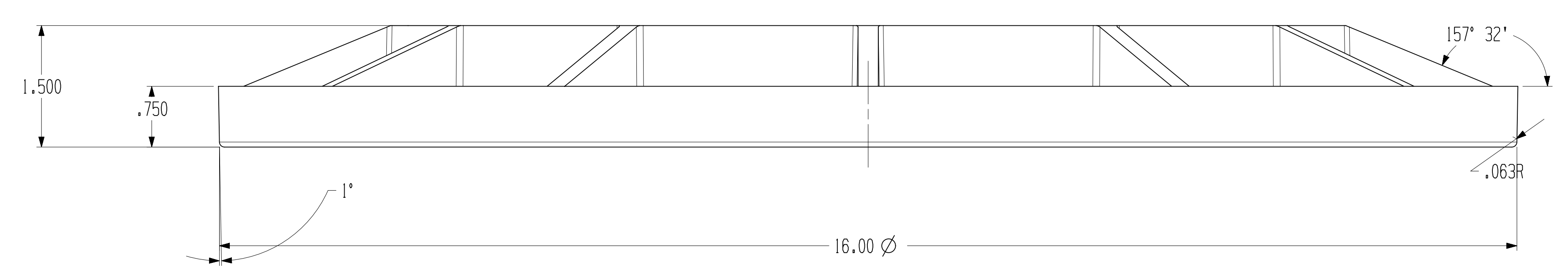
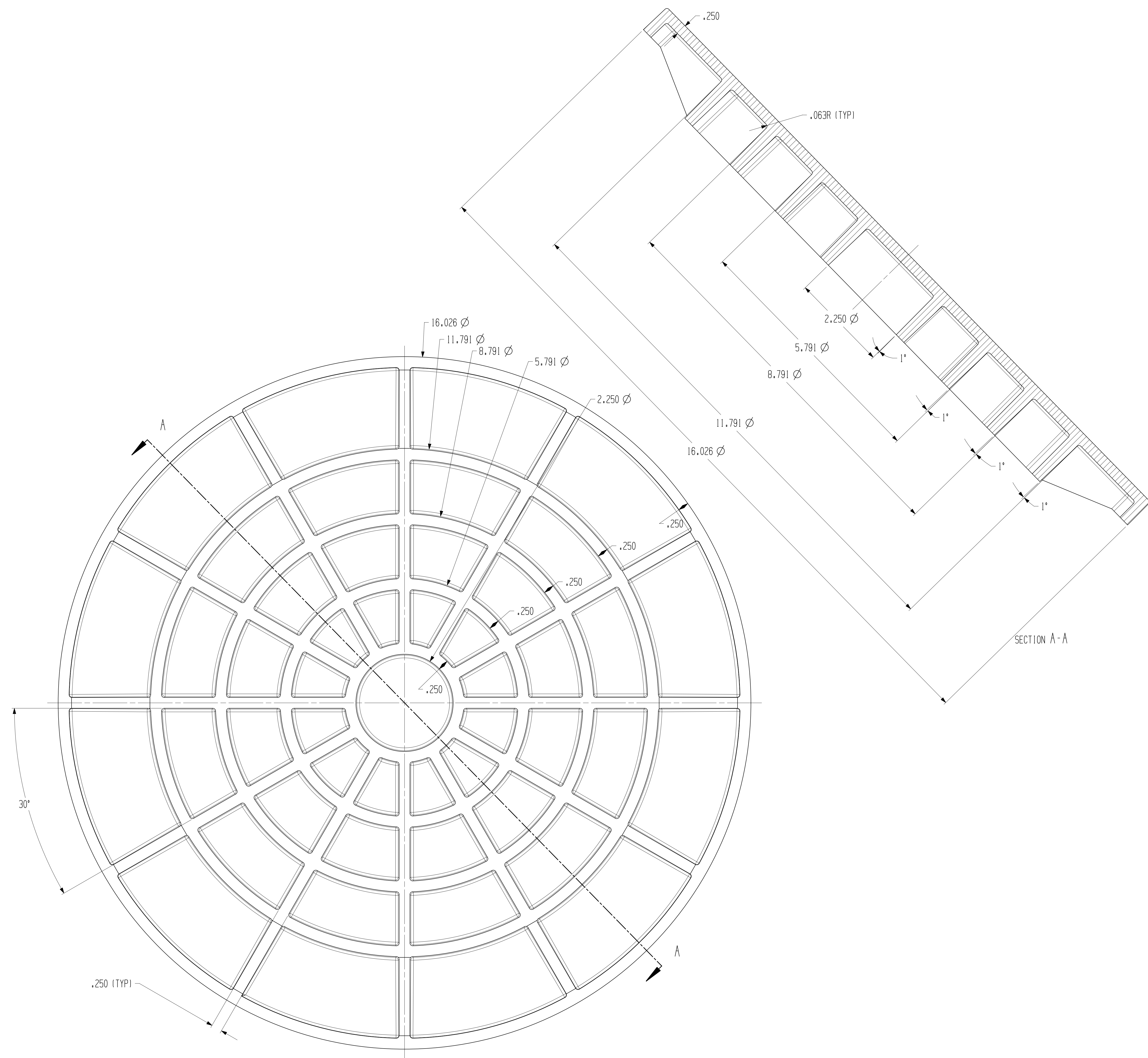


REVISIONS							
SYM	DET	WAS	CHANGE	BY	CHK	DATE	REF #
-	-	NOT CHECKED	-	-	-	-	-
-	-	-	-	-	-	-	-
-	-	-	-	-	-	-	-
-	-	-	-	-	-	-	-
-	-	-	-	-	-	-	-
-	-	-	-	-	-	-	-
-	-	-	-	-	-	-	-
-	-	-	-	-	-	-	-
-	-	-	-	-	-	-	-



GENERAL NOTE:
 UNLESS OTHERWISE SPECIFIED:
 2 PLACE DECIMALS +/- .01
 3 PLACE DECIMALS +/- .001
 4 PLACE DECIMALS +/- .0005
 ANGLES +/- 0° 30'
 REMOVE ALL SHARP EDGES

FRANCHINO
 MOLD AND ENGINEERING
 COMPANY

16 INCH FOOTER PAD

CUSTOMER:	A6-CO	PART NO.:	-
PART NAME:	16 INCH FOOTER PAD	COMPONENT WEIGHT:	-
DATE:	12-19-13	DESIGNED BY:	TER
SCALE:	FULL	CHECKED BY:	SEE REVISION BLOCK
		NO. OF SHEETS:	N/A
		PREC. TOOL NUMBER:	-
		PREC. TOOL NUMBER:	-

16-inch_footer_pad_00.ppt